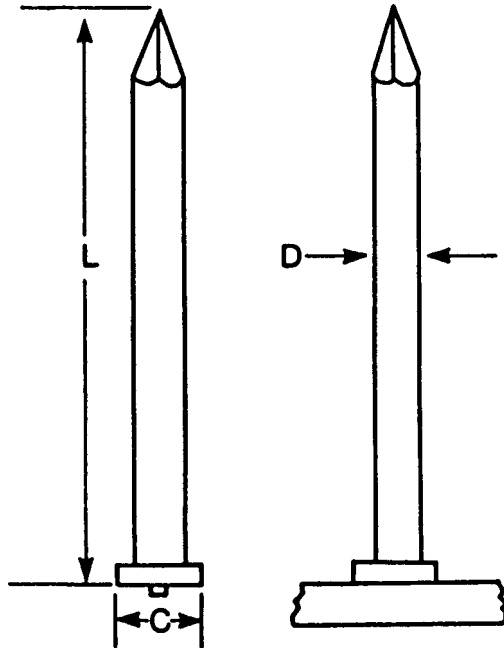


# WELD PINS

## STANDARD CD

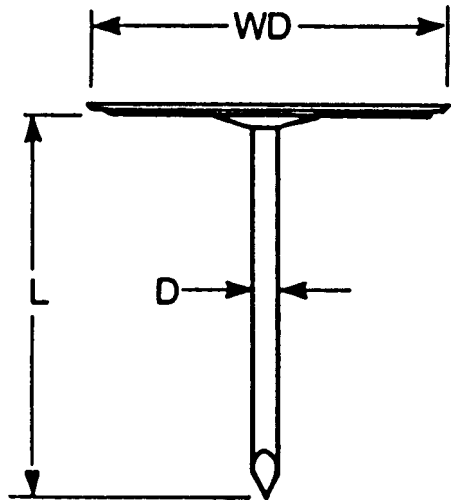


- Material:** Mild steel, stainless steel, aluminum.
- Plating:** Copper plating standard on mild steel pins.
- Washers:** Self-locking washers are available in a variety of sizes and materials up to 2 1/2" square.

PINS		
D	C	LENGTH
12ga. .105	.180	as required
10ga. .135	.195	as required



# CUPHEAD PIN



PINS				
TYPE	D	WD	MIN L	MAX L
CL10	.135	1.500	3/8"	No Max
CL12	.105	1.500	3/8"	No Max
CS12	.105	1.187	3/8"	No Max
CS14	.080	1.187	3/16"	2"

	PIN	WASHER
<b>MATERIAL</b>	LOW CARBON STEEL C-0.23% max      P-0.04% max Mn-0.60% max    S-0.05% max	LOW CARBON STEEL C-0.23% max      P-0.04% max Mn-0.60% max    S-0.05% max
<b>MECHANICAL PROPERTIES</b>	Values available upon request	Values available upon request

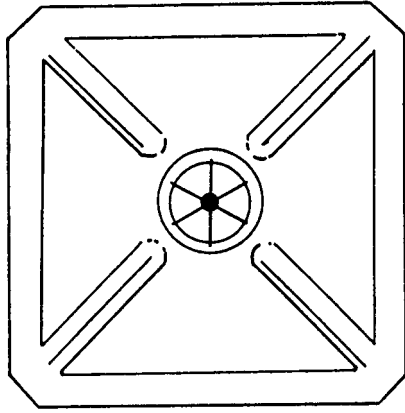
Washer is beveled to prevent cutting of insulation material.

Stainless steel - not standard, but available upon request.

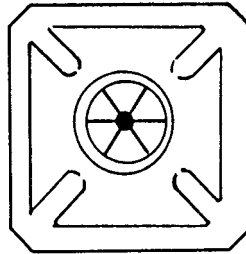
Paper speed clips available for welding through foil faced insulation.



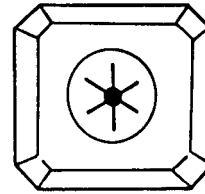
# SELF LOCKING WASHERS



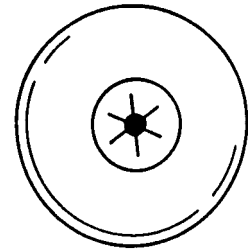
**2 1/2" Square**



**1 1/2" Square**



**1 1/8" x 1 1/4"**



**1 1/2" Round**

## INSULATION SELF LOCKING WASHERS

SELF LOCKING WASHERS	2 1/2" Square	1 1/2" Square	1 1/8" x 1 1/4"	1 1/2" Round
SIZE/INCHES	2 1/2" x 2 1/2"	1 1/2" x 1 1/2"	1 1/4" x 1 1/8"	1 1/2" Diameter
MATERIAL THICKNESS	.018	.015	.015	.015
MATERIAL FINISH/PLATING	Galv.	Galv.	Galv.	Galv.
EDGES/FLAT OR BEVEL	Bevel	Bevel	Bevel	Flat
OTHER MATERIALS AVAILABLE	Alum., SS	Alum., SS	Alum., SS	Alum., SS
PACKED PER CARTON	1,000	3,000	1,000, 5,000	1,000, 5,000
SHIPPING WEIGHT/1,000	35 lbs.	12 1/2" lbs.	6 lbs.	8 lbs.

Self Locking Washers are for use with weld pins, insulation and lacing anchors. Multi-lanced hole design provides superior self-locking feature. All standard hole sizes are available.

Self Locking Washers meet GSA, military specifications and other federal specifications.

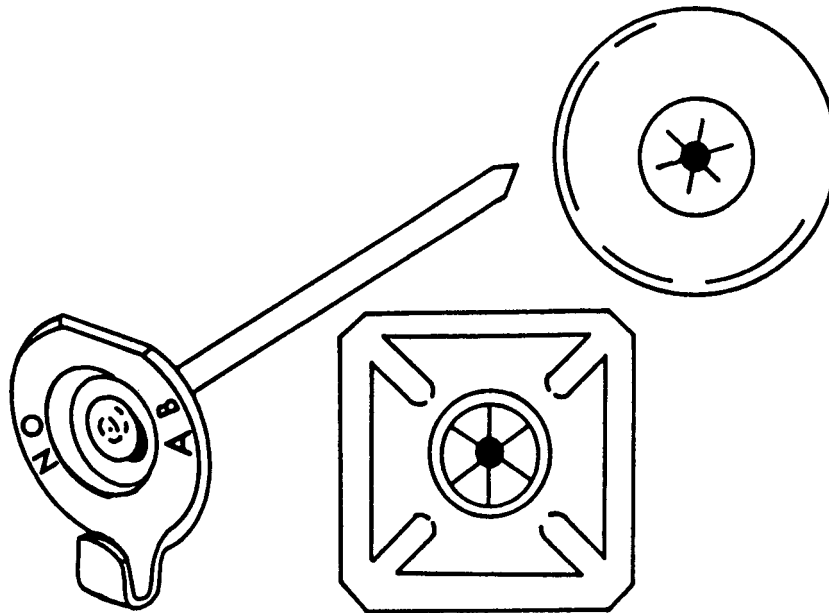
All self locking washers are made from tempered carbon steel and plated under closely controlled conditions for maximum corrosion resistance.

Special hole sizes and materials are available upon request.



# INSULATION HANGERS

## INSULATION LACING ANCHOR



MATERIAL	SPINDLE	SELF LOCKING WASHER	LENGTHS
Cadmium plated steel and stainless steel	12 gauge (.106" diameter)	Different sizes and types available	2 1/2" and 4 1/2"

CADMIUM PLATED STEEL		STAINLESS STEEL	
Length	Weight/M	Length	Weight/M
2 1/2"	19 lbs.	2 1/2"	19 lbs.
4 1/2"	24 lbs.	4 1/2"	24 lbs

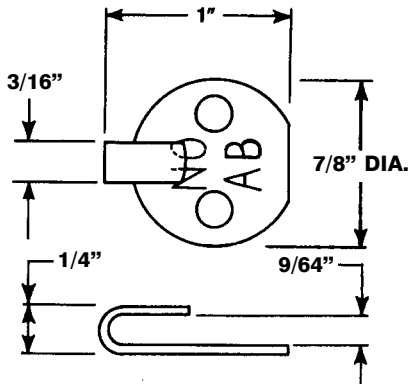


# INSULATION HANGERS

## LACING ANCHORS

### SERIES 80 LACING HOOK

LA HOOK 80



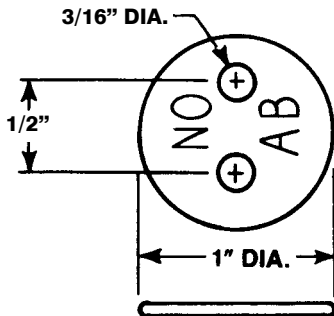
**SIZE:** One size as shown.

**MATERIAL:** Mild Steel - Cadmium plated, or Stainless Steel.

**NO-AB:** Furnished stamped NO AB to indicate non-asbestos material.

### L100 LACING WASHER

LA L100



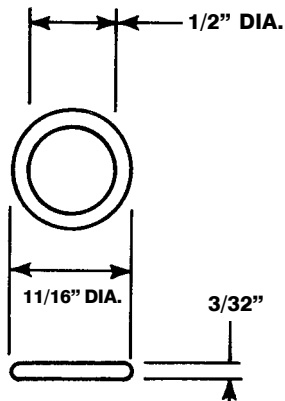
**SIZE:** One size as shown.

**MATERIAL:** Aluminum or Stainless Steel.

**NO-AB:** Available stamped NO AB to indicate non-asbestos material.

### LACING RING

LA RING



**SIZE:** One size as shown.

**MATERIAL:** Zinc alloy - bright Zinc plated.

